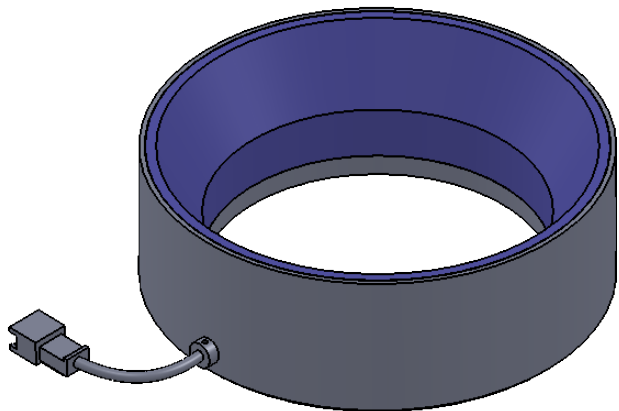
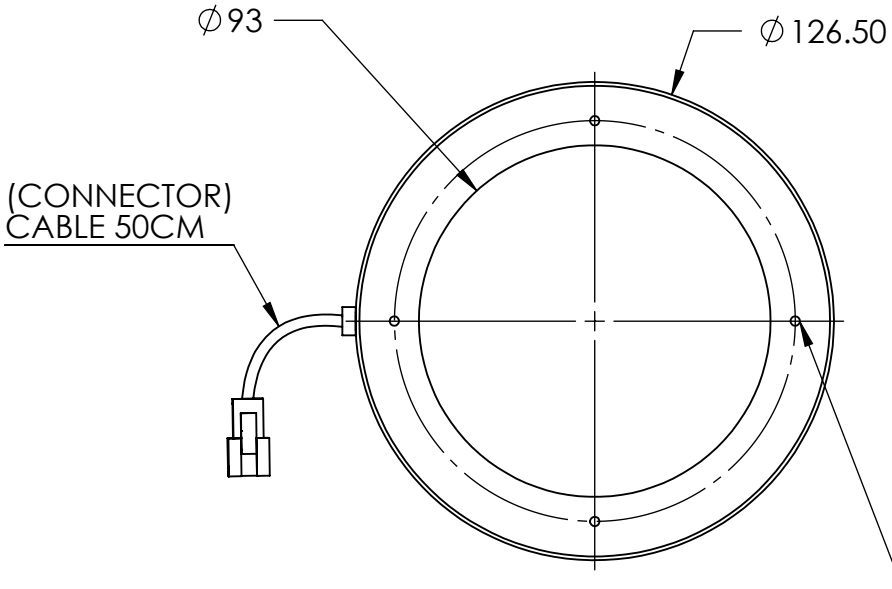


1 2 3 4 5 6 7 8

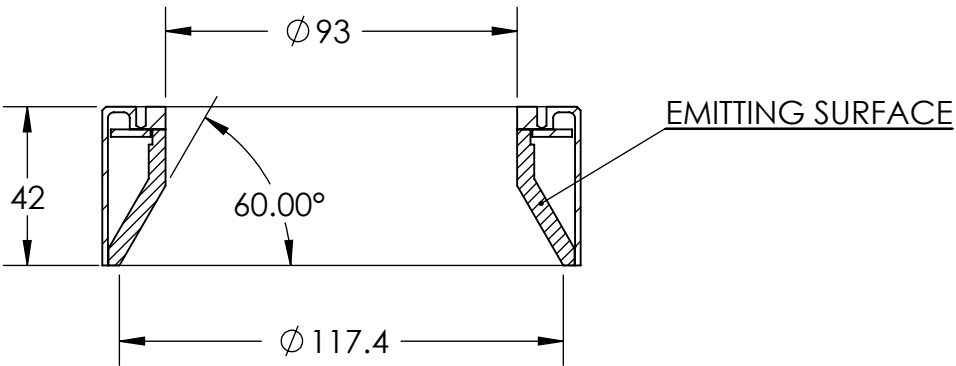
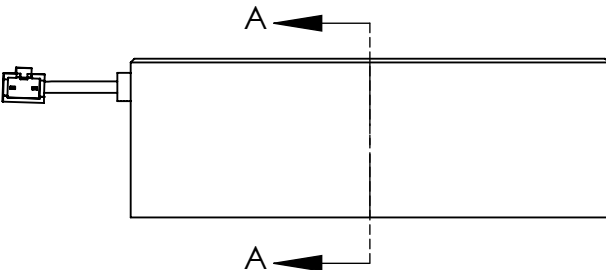
D D




4 - TAP M3 ∇ 5 N.S AT ϕ 106 PCD

C C

B B



A A

	DESIGN BY	FL LUEI	UNIT:	PRODUCT SERIES: LT2RZF SERIES	
	CHECK BY	KB TAN	MM		
	DATE	06/06/2018	REVISION:	TITLE	DRAWING LAYOUT
	MATERIAL	-	01	PART NO	LT2RZF120-60-2-W-24V
	FINISHING	-	SCALE:	DWG NO	-
QTY	-	1:1	SHEET 1 OF 1		

1 2 3 4 5 6 7 8